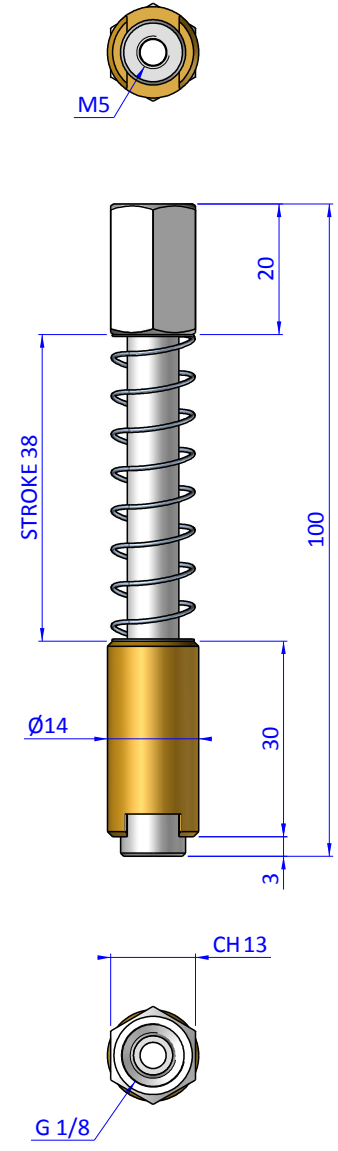
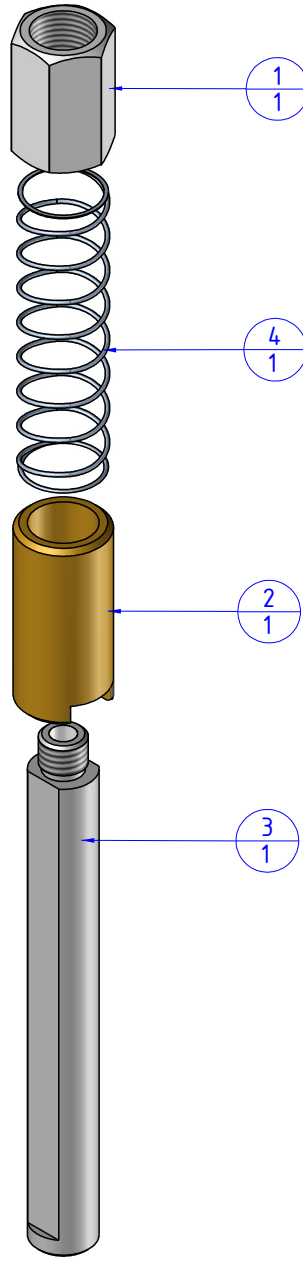


THE PROPERTY OF THE DRAWING IS ESTABLISHED BY LAW. IT IS FORBIDDEN TO PRODUCE OR SHOW IT TO THIRD PARTY, WITHOUT A WRITTEN AGREEMENT.

Item	Name	Q.ty
1	05.01.001.01	1
2	05.01.001.03.14	1
3	05.01.001.05	1
4	M.12x50	1



Format A3
UNI 936-76

FP SERVICES AUTOMATION		DESIGNED FROM FPSERVICES		REVIEW A / 3
GENERAL TOLERANCE UNI - ISO 2768 CLASSE f	DESCRIPTION CA.05.02.011	DATE 14/02/2019	WEIGHT 0,064kg	CODE CA.05.02.011